

606-202 Multi & Single lift bin lifters

Time tested design. Suits all rear loaders



Multi-Lift 606 / 202 Suits
Mobile Wheeled Bins from 80,
120, 240 Litre to BIG 4
wheeled 660, 770, 1000, and
1100 Litre Mobile Bins.

Equipped with –

- Replaceable rubber 'knock block's
- Nylon caps on lifter comb teeth
- Double acting cylinders

Also available

- Single bin lifter 202 single lifter as shown in below diagram
- Reflective strips available
- 12/24 volt power pack
- We can arrange fitting to compactor vehicle
- Replacement cylinders & spares

Streamlined for travel

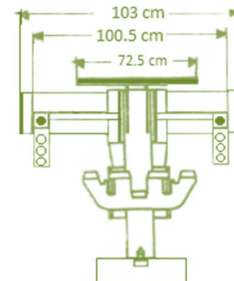
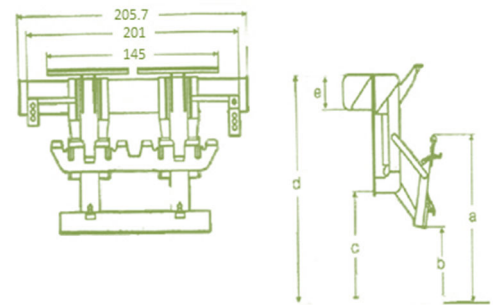


MBA **Multi-Lift [606]** Bin Lifter is designed for use with rear loading compactor vehicles of all sizes and allows the emptying of small 2 wheeled bins, and also the larger 4 wheeled commercial BIG bins.

Hydraulic power can be supplied to the **Multi-Lift** either from the vehicles hydraulic system or from a 12-24 volt power pack unit, which MBA can also supply.

2 x smaller bins can be tipped at once, or separately. Larger Commercial Big bins can be incorporated into the daily collection route of a single truck for maximum efficiency.

So if you want double the tipping capacity, in one single tipping action, then this lifter is great and can be fitted to most rear loading compactor.



Lifts Commercial Big 4 Wheel Bins



And 2 Wheel Bins



		Container		
Installation Dimensions	Setting height (A)	86.36 cm	96.52 cm	96.52 cm
	Ground clearance Lifting Carriage (B)	33.02 cm	43.18 cm	43.18 cm
	Ground clearance swinging arm (C)	35.56 - 55.88 cm	35.56 - 66.04 cm	35.56 - 66.04 cm
	Installation height 2-axle r.c.v (D)	104.14 - 124.46 cm	104.14 - 134.62 cm	104.14 - 134.62 cm
	3-axle r.c.v (D)	114.3 - 124.46 cm	114.3 - 134.62 cm	114.3 - 134.62 cm
Beam Height (E)		20.32 cm		
General Data	System requirements : lifter / refuse collection vehicle			
	Hydraulic flow of the coupling	9.0849ltrs /min		
	Operating Pressure	1740 psi		
	Operating Voltage	12/24V		
	Suitable for	120/240/360/660/1100 MGB		
	Cycle time	Approx. 9 sec	Approx. 16 sec	
Lifting Capacity	249.476 kgs	498.9516 kgs		
Noise Level without container	85 dB (A)	85 dB (A)		

MOBILE BINS AUSTRALIA PTY LTD

Victorian Office C/-
31A Halsey Rd, Airport West
Victoria Australia 3042
Phone: 03 9335 1771
Fax: 03 9338 2833
Email: info@mobilebins.com.au